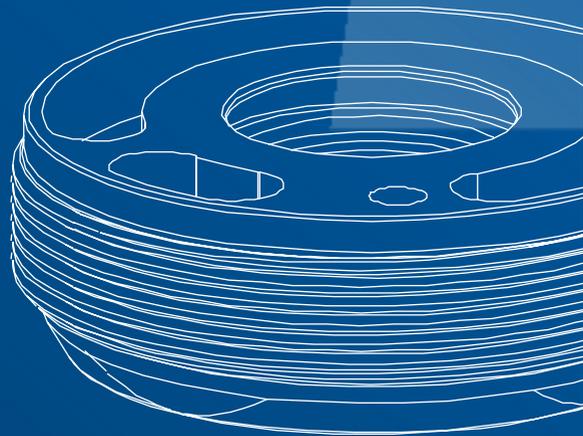
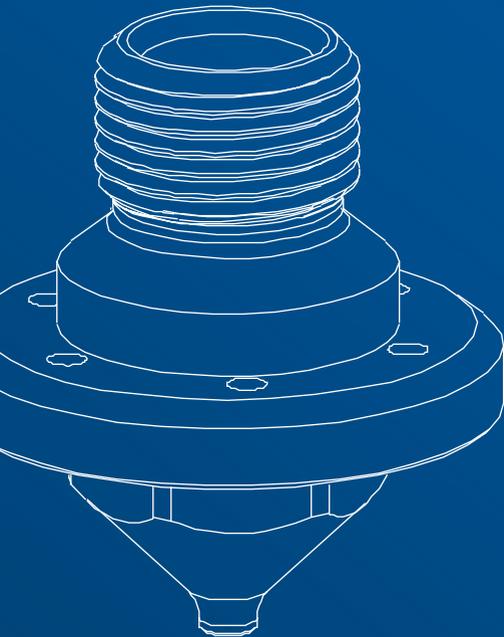


Spare parts and components

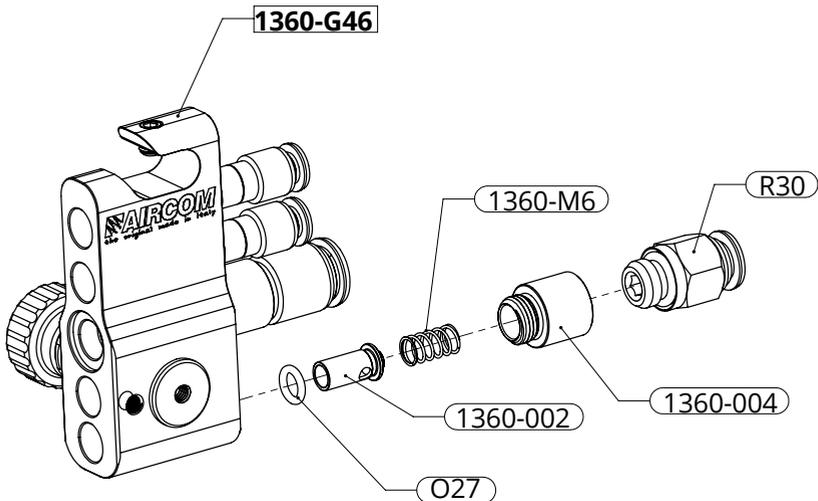


SPARE PARTS

DETAILS LIST

mod. QRB2

- 1360-002** [x1] Valve
- 1360-004** [x1] Junction
- 1360-G46** [x1] Mounted Block
- 1360-M6** [x1] Spring
- O27** [x1] Gasket
- R30** [x1] Junction



CERTIFIED QUALITY

CERTIFICATIONS

The product, with a body entirely in stainless steel and specific OR/sealings, complies with FDA requirements.



THREE-COLOR INSERT

Each gun is marked with a three-color three-dimensional seal. It represents an additional guarantee of authenticity and Italianity because it is present exclusively in original AIRCOM® guns.



SUPPORT

DO YOU NEED HELP?

We are at your disposal.



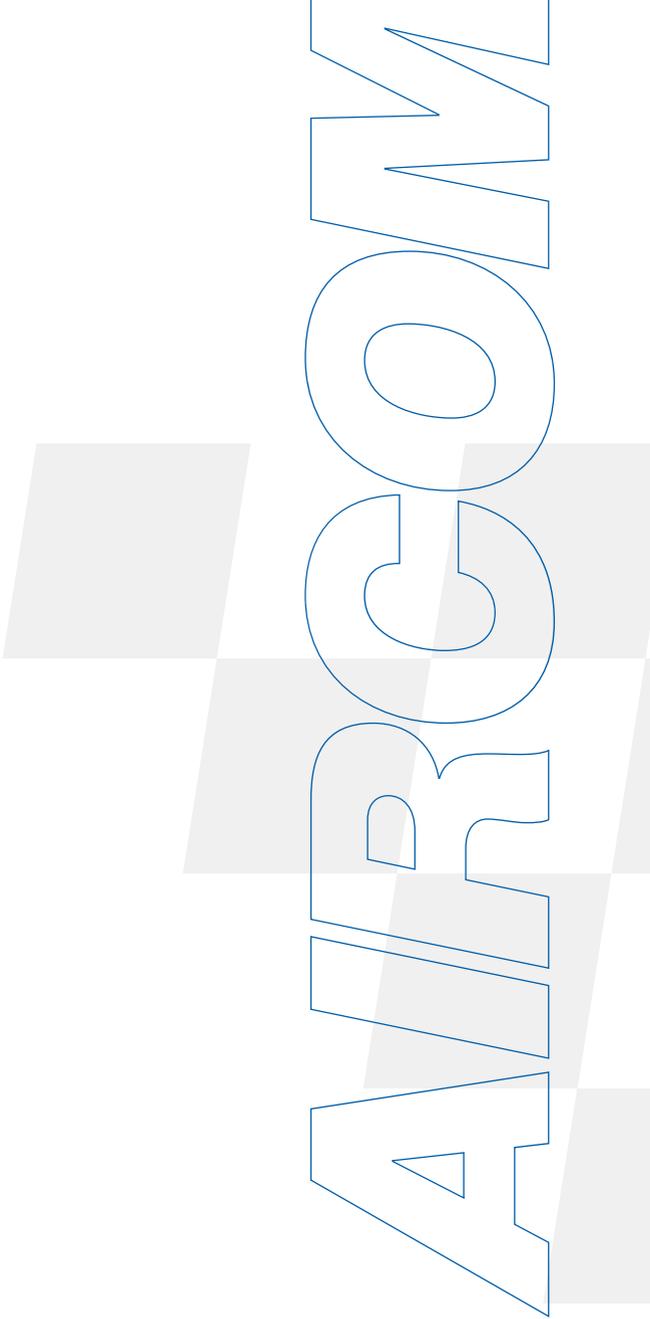
+39 0124 5154 44



aircom@aircom.it



Online support



AIRCOM



DISCOVER ALL PRODUCTS



Follow us



aircom.it