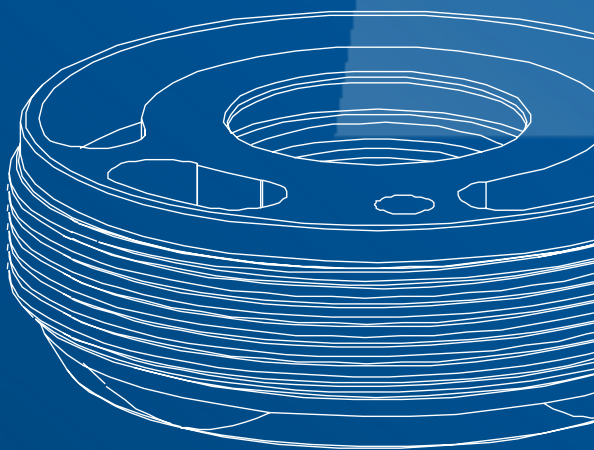
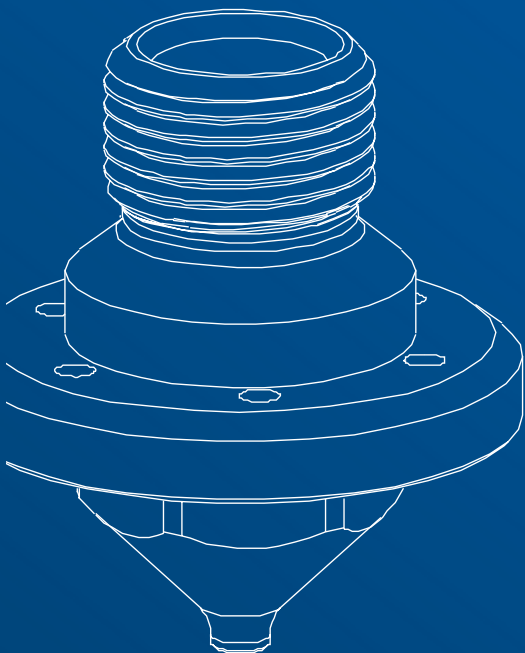


Spare parts and components

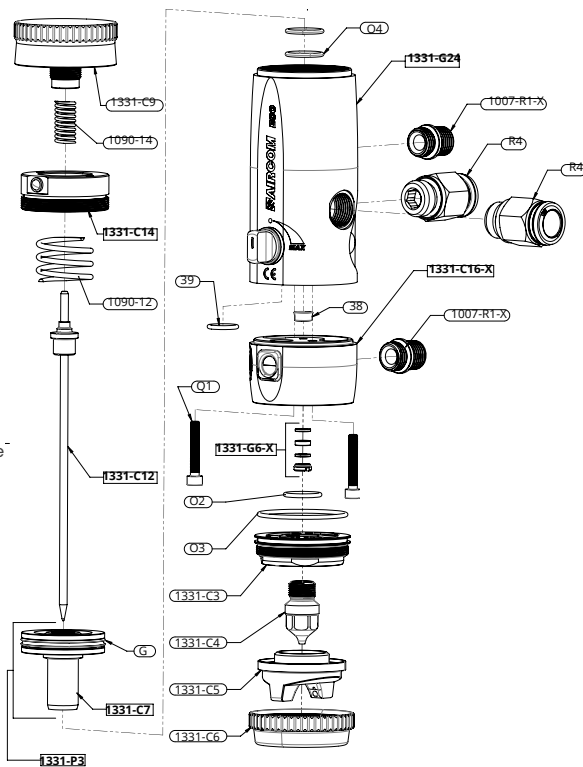


SPARE PARTS

DETAILS LIST

- 38 [x1] Gasket
- 39 [x1] Gasket
- 1090-12 [x1] Spring
- 1090-14 [x1] Spring
- 1331-C3 [x1] Insert
- 1331-C4 [x1] Nozzle
- 1331-C5 [x1] Head
- 1331-C6 [x1] Ferrule
- 1331-C7 [x1] Plunger
- 1331-C9 [x1] Hand wheel
- 1331-C12 [x1] Complete needle
- 1331-C14 [x1] Cap with positioner
- 1331-C16-X [x1] Mounted secondary body in stainless steel
- 1331-G6-X [x1] Stainless steel gasket kit
- 1331-G24 [x1] Body with regulating valve
- 1331-P3 [x1] Mounted plunger
- G [x1] Gasket
- O2 [x1] Gasket
- O3 [x1] Gasket
- O4 [x2] Gasket
- Q1 [x2] Screw TCEI
- 1007-R1-X [x2] Stainless steel junction
- R4 [x2] Junction

mod. ECO-X



NOTES

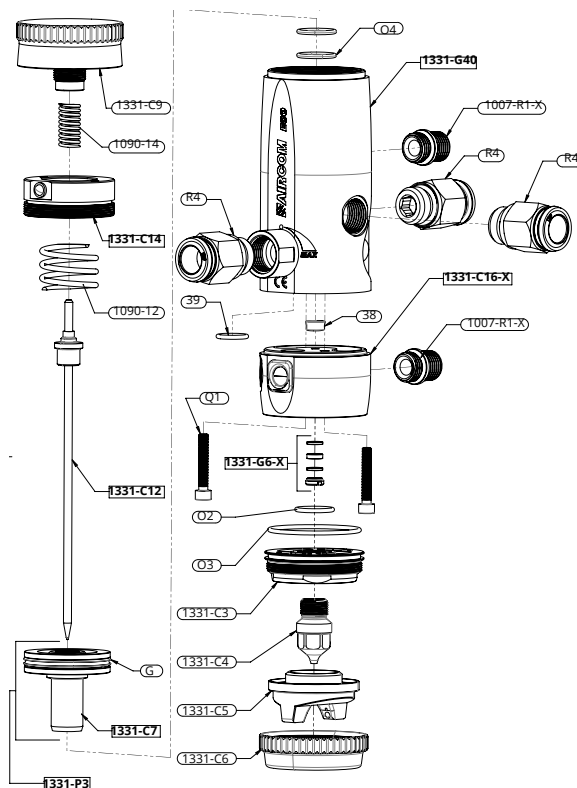
The head protection cap is also available as a spare part.
 For the heads compatible with the model you can refer to the CNN table below.
 The connection part. [R4] provided by default in part. [1331-G24] can be replaced with the cap part. [C13].
 The cap inserted by default in part. [1331-C16-X] can be replaced with a fitting for the wash inlet circuit.

SPARE PARTS

DETAILS LIST

- 38** [x1] Gasket
- 39** [x1] Gasket
- 1090-12** [x1] Spring
- 1090-14** [x1] Spring
- 1331-C3** [x1] Insert
- 1331-C4** [x1] Nozzle
- 1331-C5** [x1] Head
- 1331-C6** [x1] Ferrule
- 1331-C7** [x1] Plunger
- 1331-C9** [x1] Hand wheel
- 1331-C12** [x1] Complete needle
- 1331-C14** [x1] Cap with positioner
- 1331-C16-X** [x1] Mounted secondary body in stainless steel
- 1331-G6** [x1] Gasket kit
- 1331-G40** [x1] Primary body with valve for automatic regulation
- 1331-P3** [x1] Mounted plunger
- G** [x1] Gasket
- O2** [x1] Gasket
- O3** [x1] Gasket
- O4** [x2] Gasket
- Q1** [x2] Screw TCEI
- 1007-R1-X** [x2] Stainless steel junction
- R4** [x2] Junction

mod. ECO-A-X





NOTES



The head protection cap is also available as a spare part.
 For the heads compatible with the model you can refer to the CNN table below.
 The connection part. [R4] provided by default in part. [1331-G24] can be replaced with the cap part. [C13].
 The cap inserted by default in part. [1331-G40] can be replaced with a fitting for the air inlet circuit.

COMPATIBLE CNN

Cap-Needle-Needle

mod. ECO-X, ECO-A-X

1331-C5-LA	CAP	NOZZLE	NEEDLE
 	1331-C5-LA-0.8	1331-C4-0.8	1331-C12-0.8
	1331-C5-LA-1.0	1331-C4-1.0	1331-C12-1.0
	1331-C5-LA-1.2	1331-C4-1.2	1331-C12-1.2
	1331-C5-LA-1.5	1331-C4-1.5	1331-C12-1.5

1331-C5-NA	CAP	NOZZLE	NEEDLE
 	1331-C5-NA-0.8	1331-C4-0.8	1331-C12-0.8
	1331-C5-NA-1.0	1331-C4-1.0	1331-C12-1.0
	1331-C5-NA-1.2	1331-C4-1.2	1331-C12-1.2
	1331-C5-NA-1.5	1331-C4-1.5	1331-C12-1.5

CERTIFIED QUALITY

CERTIFICATIONS

All AIRCOM® products are certified according to norm EN 13 966 - 1 (VDMA-Einheitsblatt 24 366) and therefore also according to transfer efficiency parameters.



THREE-COLOR INSERT

Each gun is marked with a three-color three-dimensional seal. It represents an additional guarantee of authenticity and Italianity because it is present exclusively in original AIRCOM® guns.



SUPPORT

DO YOU NEED HELP?

We are at your disposal.



+39 0124 5154 44



aircom@aircom.it



Online support

NOTES

A series of horizontal lines for writing notes. Three large, light gray rectangular blocks are placed over the lines, indicating where notes should be written. The blocks are positioned at approximately the top, middle, and bottom of the page.

AIRCOM



DISCOVER ALL PRODUCTS



Follow us



aircom.it