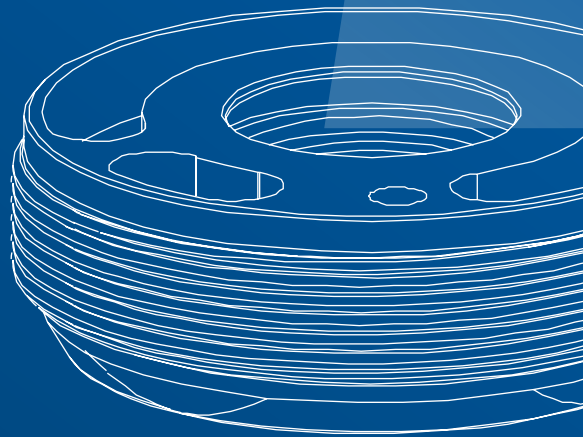
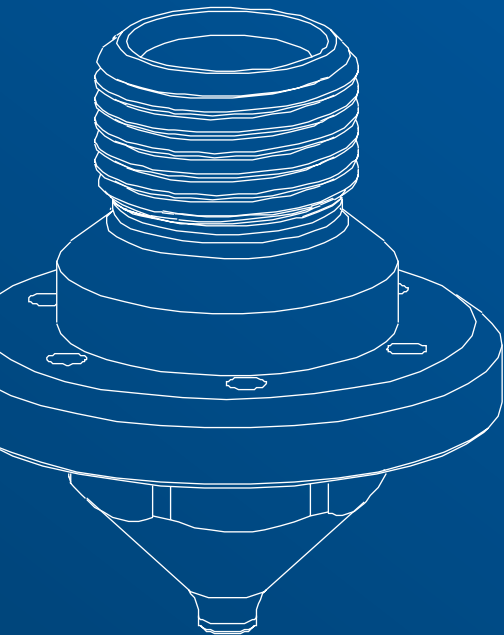


# Spare parts and components

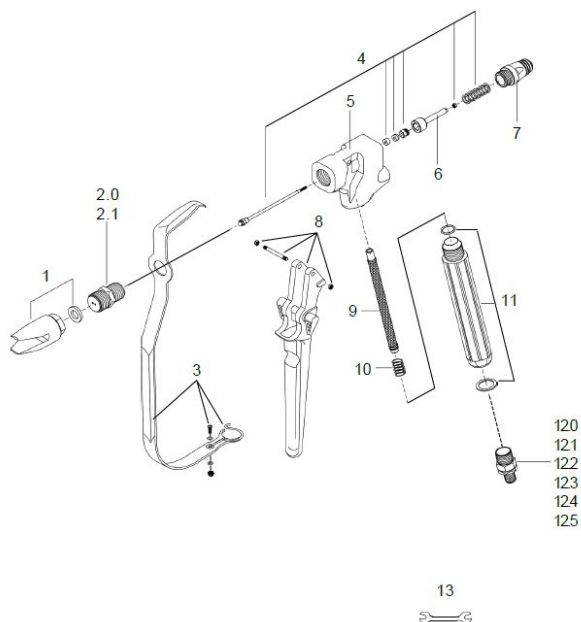


## SPARE PARTS

### DETAILS LIST

*mod. A81*

- 1** [x1] Paradise
- 2.0** [x1] 2-hole sleeve
- 2.1** [x1] 1-hole sleeve
- 3** [x1] Handguard
- 4** [x1] Awl kit
- 5** [x1] Gun body
- 6** [x1] Pressure piston
- 7** [x1] Rear cap
- 8** [x1] Control lever group
- 9** [x1] Pistol butt filter
- 10** [x1] Filter holder spring
- 11** [x1] Handle
- 12.0** [x1] M1/2 JIC Swivel
- 12.1** [x1] M1/4 NPT Swivel
- 12.2** [x1] M1/4 BSP Swivel
- 12.3** [x1] M16X1.5 Swivel Fitting
- 12.4** [x1] M1/4 NPS Swivel
- 12.5** [x1] M 3/8 Swivel Fitting
- 13** [x1] Key



## DISPOSAL

---

If, for any reason, it is intended to put the painting unit out of service, it is necessary to observe some fundamental rules aimed at safeguarding the environment as per the provisions of the law currently in force.

Sheaths, flexible ducts, plastic or non-metallic material components must be disassembled and disposed of separately at the appropriate differentiated collection centres.

The machine DOES NOT CONTAIN POLLUTING OILS but the waste paints must in any case be disposed of at authorized consortia.

## SUPPORT

---

### DO YOU NEED HELP?

We are at your disposal.



+39 0124 5154 44



[aircom@aircom.it](mailto:aircom@aircom.it)

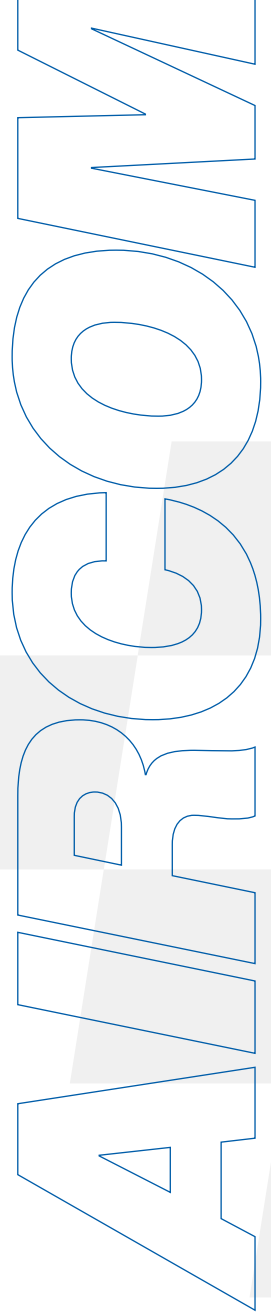


[Online support](#)

# NOTES

---

Notes area with horizontal lines and three large grey diagonal watermark shapes.

The logo for AIRCOM features the word "AIRCOM" in a large, blue, outlined, sans-serif font. The letters are arranged vertically, with "AIR" on the left and "COM" on the right. The background consists of a light gray and white checkerboard pattern that is slightly offset and tilted, creating a dynamic, three-dimensional effect behind the text.

AIRCOM



DISCOVER ALL PRODUCTS



Follow us



[aircom.it](http://aircom.it)