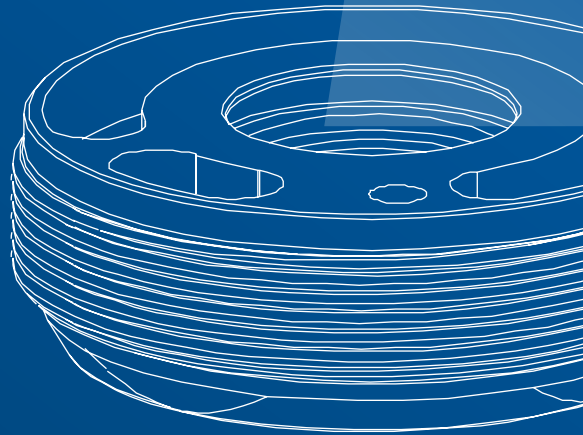
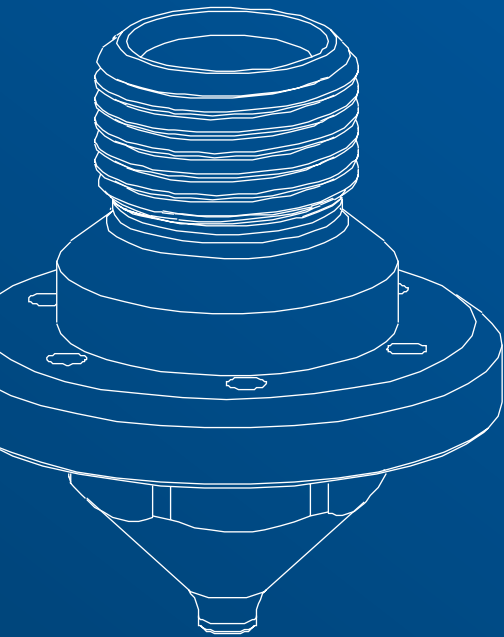


# Spare parts and components

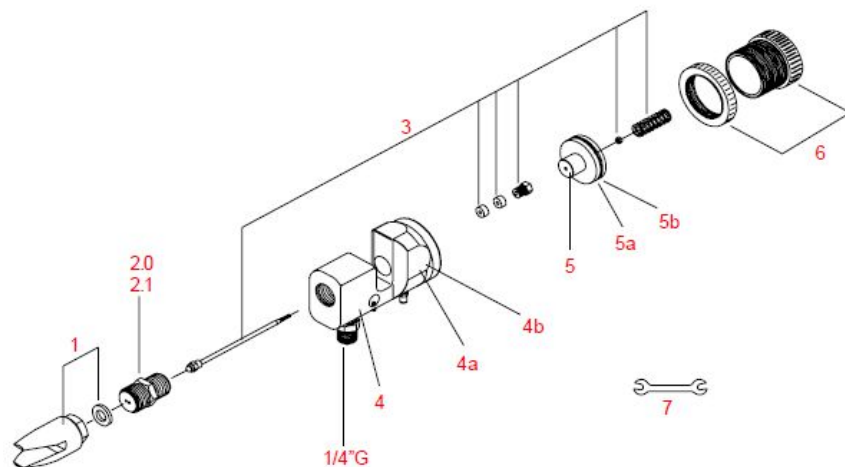


# SPARE PARTS

## DETAILS LIST

*mod. A16*

- 1** [x1] Finger protection
- 2.0** [x1] 2-hole sleeve
- 2.1** [x1] 1-hole sleeve
- 3** [x1] Awl kit
- 4** [x1] Body group
- 4a** [x1] Gasket
- 4b** [x1] Gasket
- 5** [x1] Piston assembly
- 5a** [x1] Gasket
- 5b** [x1] Gasket
- 6** [x1] Needle stroke adjustment unit
- 7** [x1] Key

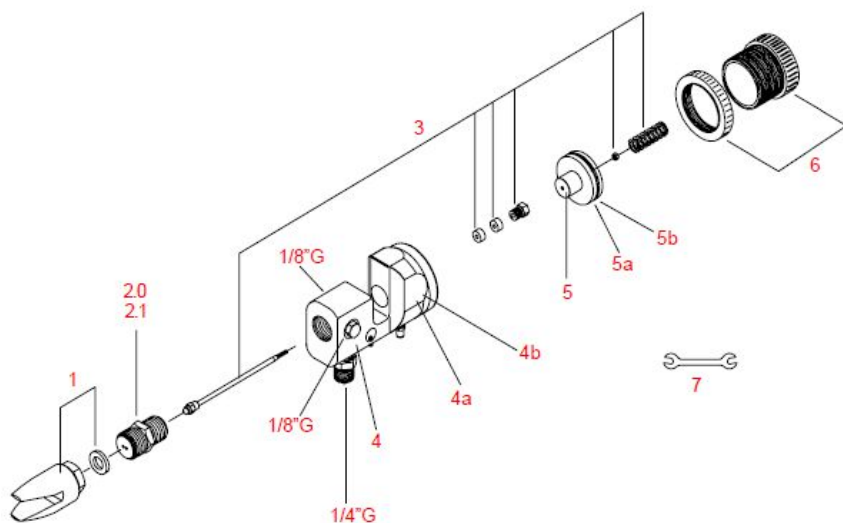


# SPARE PARTS

## DETAILS LIST

## mod. A16 double entry

- 1** [x1] Finger protection
- 2.0** [x1] 2-hole sleeve
- 2.1** [x1] 1-hole sleeve
- 3** [x1] Awl kit
- 4** [x1] Body group
- 4a** [x1] Gasket
- 4b** [x1] Gasket
- 5** [x1] Piston assembly
- 5a** [x1] Gasket
- 5b** [x1] Gasket
- 6** [x1] Needle stroke adjustment unit
- 7** [x1] Key



## DISPOSAL

---

If, for any reason, it is intended to put the painting unit out of service, it is necessary to observe some fundamental rules aimed at safeguarding the environment as per the provisions of the law currently in force.

Sheaths, flexible ducts, plastic or non-metallic material components must be disassembled and disposed of separately at the appropriate differentiated collection centres.

The machine DOES NOT CONTAIN POLLUTING OILS but the waste paints must in any case be disposed of at authorized consortia.

## SUPPORT

---

### DO YOU NEED HELP?

We are at your disposal.



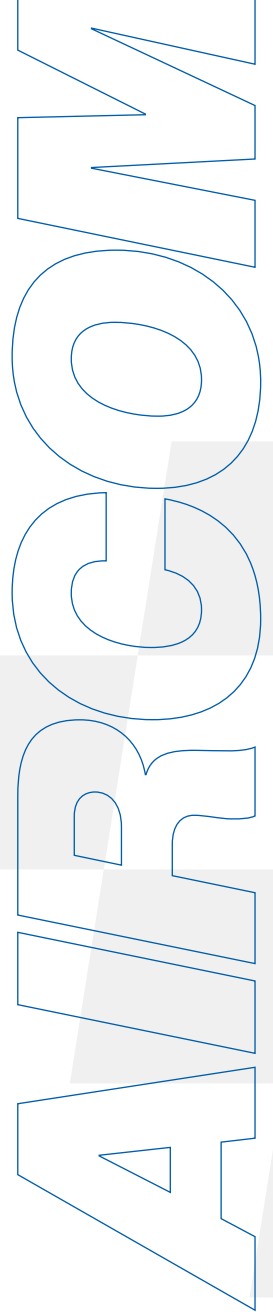
+39 0124 5154 44



[aircom@aircom.it](mailto:aircom@aircom.it)



Online support

The logo for AIRCOM is displayed vertically. The letters 'AIR' are in a bold, blue, sans-serif font. The letters 'COM' are in a blue outline font. The logo is positioned on the right side of the page, partially overlapping a grey and white checkered pattern that is tilted at an angle.

AIRCOM



DISCOVER ALL PRODUCTS



Follow us



[aircom.it](http://aircom.it)